

# Interaction-based Invention: Designing Novel Devices from First Principles

Brian C. Williams\*  
System Sciences Laboratory  
Xerox Palo Alto Research Center  
3333 Coyote Hill Road, Palo Alto CA 94304  
bwilliams@xerox.com

## Abstract

An inventor who is skilled at constructing innovative designs is distinguished, not just by the first principles he knows, but by the way he uses these principles and how he focusses the search for novel devices among an overwhelming space of possibilities. We propose that an appropriate focus for design is the network of qualitative interactions between quantities, (called an *interaction topology*), used by a device to achieve its desired behavior. We present an approach, called *interaction-based invention*, which views design as a process of building interaction topologies — in this paper directly from first principles. The program *Ibis*, which embodies this approach, designs simple hydro-mechanical regulators, analogous to devices that were fundamental to the development of feedback control theory.

## 1 Introduction

In highly competitive markets with rapid technology shifts a designer must continually exploit new technologies, and existing technologies in nonobvious ways. Current AI design research focuses on heirarchical refinement using libraries of design fragments [McDermott 1977; Roylance 1980; Mitchell *et al.* 1983; Ressler 1984; Mitchell *et al.* 1985; Mittal *et al.* 1986]. While library-based techniques like configuration [McDermott 1982] have been highly successful for some “routine tasks,” they ignore these innovative aspects of the design process.

To achieve the generality necessary to maintain a competitive edge, the designer might have to consider, not just what is in the routine library, but any possible device structure. Evaluating the behavior of any structure requires reasoning from first principles. The generality afforded by these principles presents the designer with an overwhelming space of possibilities. To avoid being lost the inventor must use every means at his disposal to focus the search. This is the ability to innovate. Thus a robust theory must capture, not only techniques for routine design, but the process of innovation from first principles. We refer to this as invention.

\*Discussions with my advisor Randy Davis and committee Patrick Winston and Tomas Lozano-Perez had a tremendous impact on this research. Johan de Kleer, Brian Falkenhainer, Leo Joskowicz and Mark Shirley provided valuable comments on earlier drafts. This research was performed both at the MIT AI Lab and Xerox PARC. MIT support was provided by an Analog Devices Fellowship, DEC, Wang, and DARPA under Office of Naval Research contract N00014-85-K-0124.

Innovation is a multi-faceted process that researchers are only beginning to explore [Murthy & Addanki 1987; Ulrich 1988; Joskowicz & Addanki 1989]. This paper explores one such facet — the process of innovation when reasoning from first principles alone. Specifically we present a theory that captures key aspects of a process that can be used to construct novel devices like the one shown to the left in figure 1 (from Mayr [1970]). This device (developed by Heron of Alexandria in the first century AD) automatically fills a cup  $k$  with fluid from a vase  $v$ , and maintains the fluid at a specified level:

If the fluid level in cup  $k$  is too low, then the volume of fluid is too small, the cup will be too light, and the weight at the end of the balance will move downward. Through a set of linkages  $l$  the disk  $d$  lifts off of the end of pipe  $b$ . When the gap appears, fluid flows out of the vase, through the pipe, and into the cup. As a result the cup’s height of fluid and weight increases. Eventually the fluid reaches the desired height, at which time the balance tips to a point where the valve is closed.

This device was innovative in its time for the use of a balance to sense fluid height via weight, and for its explicit use of feedback control.

More generally, we explore the design of lumped-parameter devices (i.e., networks of components and connections) whose desired behavior is described by transitions in a qualitative state diagram, and whose behavior is governed by the laws of physical system dynamics [Shearer *et al.* 1971] or circuit theory [Bose 1965].

Our work begins with the intuition that this and similar devices can be constructed *by focussing on qualitative differences between how alternative devices work*. The first part of this paper teases apart this intuition through a series of questions. This results in three concepts that we believe are central to focussing the design process: the interaction topology, interaction-based invention, and the topology of potential interactions. We then use a simple fluid regulation example to demonstrate how these concepts are embodied in a program called *Ibis*.

## 2 Design as Focussing on Interactions

### How do devices work?

Our research takes the perspective that a device “works” by establishing a network of interactions between quantities and orchestrating these interactions over time. We call this network an *interaction topology*. A simplified

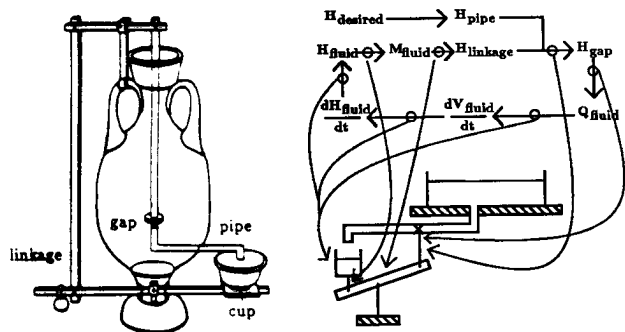


Figure 1: Heron's weight regulator from [Mayr 1970] (left) and interaction-based invention (right). The graph at the upper right is an interaction topology, constructed to relate  $dH_{fluid}/dt$  to  $H_{fluid}$  and  $H_{desired}$ . The topology is built from interactions, each producible by a single component or connection (downward arrows).

example for Heron's regulator<sup>1</sup> is depicted by the graph in figure 1 (top right), where  $H$ ,  $M$ ,  $Q$  and  $V$  denote fluid height, mass, flow and volume. The explanation in the introduction traced a path through this topology. In addition to connectivity, the topology must capture exactly those features of interactions that directly contribute to how a device achieves its behavioral specification. Initially a designer ignores many details of the specification like delay and power dissipation, instead focussing on the basic shape of a device's behavior. In our case this is the rise and fall of fluid levels or, more generally, state transitions in a qualitative state diagram [Bobrow (ed.) 1984]. The salient features of interactions are exactly those necessary to achieve each transition. In [Williams 1988, 1989] we argue that this is captured by a combination of qualitative and quantitative features, expressible by equations in Q1 — a hybrid algebra on signs and reals.<sup>2</sup>

### How do these observations impact invention?

We claim that, because the interaction topology captures qualitative features of how devices work, it is an appropriate central focus of invention. Specifically:

Invention involves constructing a topology of interactions that both produces the desired behavior and makes evident a topology of physical devices that implements those interactions (figure 1, right).

This approach, called *Interaction-based Invention*, has three major components: building the interaction topology, building the corresponding physical structure, and verifying that the interactions produce the desired behavior. To ensure that the topology "makes evident" the physical structure, the topology is built from interactions that are producible by a single component or physical connection. The producible interactions

<sup>1</sup>A more representative example of an interaction topology is shown in figure 5.

<sup>2</sup>For more complex topologies, in [Williams 1989] we argue for the importance of capturing an interaction's causal and temporal features at a level of abstraction expressible in the representations of [Williams 1984, 1986].

are identified using the first principles of the current domain and technology, and interactions are interconnected through shared variables. The topology is verified by algebraically "composing" interactions and comparing the result with the desired interaction.

A strategy for proposing the interconnection of interactions is faced with an enormous space of possibilities. To cope, Ibis generates candidate solutions by focussing first on the most constraining features of interactions . . .

### What qualitative features are most important?

Rarely do primitives directly relate the types of variables were interested in. For example, the purpose of Heron's regulator is to relate height change to height difference, but there is no way to achieve this directly. Instead the device uses a lengthy chain of interactions that successively transform a signal from one variable type to another. This difficulty is highlighted by the *connectivity of interactions*, conveyed in the graph of figure 1 (top right), independent of the behavior each interaction produces. The importance of connectivity is further supported by a detailed historical analysis [Mayr 1970] which uses similar diagrams to highlight the innovative aspects of feedback control devices developed over a period of 1800 years. For example, Heron's innovation is a path of interactions that uses force to sense height. The end of this paper shows several other innovations that exploit alternative paths. To summarize, qualitative features that are particularly important are the connectivity of interactions and the types of variables involved.

### How are devices composed from first principles?

We conjecture that, for simple devices, new innovations are constructed in a manner similar to how existing inventions are understood. To understand how a device works, we first imagine all the interactions produced by every component and every connection in the device, and then trace out a path that identifies interactions contributing to the behavior of interest. Analogously, to invent a device, we use our first principles to imagine *all* possible interactions producible by every type of component and every type of connection available in the current technology, and *all ways* that these interactions can be connected. The resulting structure we call a *topology of potential interactions*. A device is proposed by tracing a path through the potential interaction topology that connects variables in the desired interaction. The device's interaction topology are those variables and interactions that lie along the path. We call this process *imagining potential interactions*. Interesting alternatives correspond to distinct paths through this topology. Of course it would be unreasonable to explicitly represent all producible interactions and interconnections, since the space would be infinite. Compactness is achieved by representing *types* rather than instances. The topology of potential interactions is built from the types of interactions producible, connected wherever it is consistent for them to share a variable. These interaction types are those produced by each type of component and physical connection.

To maximize function sharing — the use of a single component for several functions — it is important whenever possible to exploit interactions produced by existing structure (structure already introduced in the design). This helps to reduce design costs and parasitic effects. In some cases variables in a desired interaction are only accessible through existing interactions — function sharing is then an absolute necessity. To this end we augment our space with a *topology of existing interactions*, representing the interactions of a partially constructed design, that are produced by structure already introduced. This is interconnected with the topology of potential interactions wherever it is consistent to share variables. A candidate solution is proposed by tracing a path through the combined topology, for example, minimizing the number of potential interactions traversed (figure 2, top of upper half).

This combined topology is the key to our approach. It is an interaction topology and thus focuses the search within the realm of how devices work. It makes physical structure evident — each interaction is produced by a type of component or connection. It can be searched quickly — path tracing in a small graph is fast. It captures the first principles — that’s what the topology is built from. And it highlights connectivity between variable types — one of the most constraining, and potentially innovative aspects of alternative solutions. Together these features allow us to make good on the claim that we are able to construct innovative devices from first principles.

### 3 Ibis: Interaction-based Invention System

For simplicity of presentation we demonstrate our approach using the punch bowl example of [Williams 1988] (e.g., as opposed to heron’s regulator):

Suppose you are throwing a large party that includes beverages. Having waiters manually refill the punch bowl from a large vat would intrude on the ambiance of the event; thus, you decide to use Ibis to construct a device that restores the punch bowl automatically. At Ibis’ disposal is an array of pipes, containers and lids. The vat,  $v$ , and bowl,  $b$ , are sitting on a table, both open to the air. For aesthetics the vat is hidden, and connections are only allowed to the bottom of the vat and bowl. For simplicity you decide the level of punch in the bowl should be the same as that in the vat.

The desired behavior is specified by a qualitative state diagram. Using a process roughly analogous to finite state machine design [Hill & Peterson 1974], Ibis maps the diagram into interactions. As discussed in [Williams 1989], in our example Ibis infers that the desired interaction is to change the bowl’s fluid height in the direction of the vat/bowl height difference ( $[ ]$  denotes an expression’s sign  $\{+, 0, -\}$ ):

$$[H(v) - H(b)] = [dH(b)/dt]$$

Our focus here is on how Ibis maps a single desired interaction into an interaction topology. Ibis’ basic steps are numbered on the top half of figure 2. First, Ibis

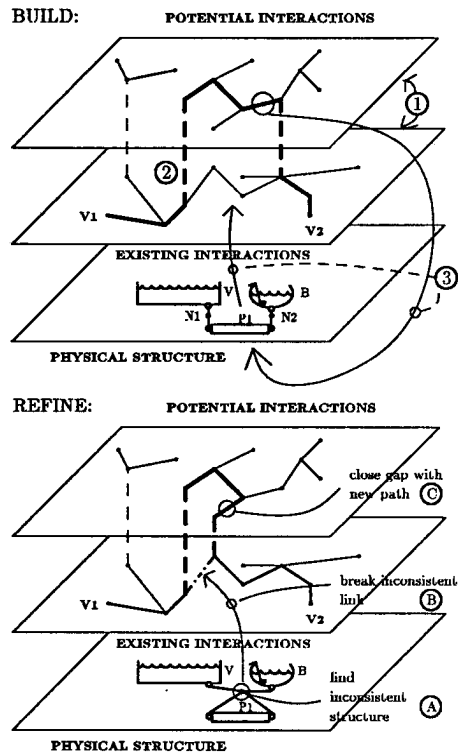


Figure 2: Major steps Ibis performs to build (upper) and refine (lower) an interaction topology.

builds the space of all interactions: the topology of potential interactions for the domain and technology, and the topology of existing interactions for the initial structure and interactions. Second, Ibis proposes a candidate by identifying a path through the two topologies, connecting the variables in the desired interaction. Third, Ibis augments the device structure in order to instantiate the potential interactions along the path (and links connecting these interactions). Finally, Ibis verifies that the path produces the behavior of the desired interaction.

Ibis may fail on two accounts: either because the structure introduced in the third step is inconsistent, or because the behavior verified in the fourth step is incorrect. In either case Ibis has the choice of exploring a topology corresponding to an alternative path, or refining the current candidate (bottom half, figure 2). In the latter case Ibis A) identifies one or more links causing inconsistencies, B) breaks these links to remove all inconsistencies, (preserving the consistent links and interactions), and C) tries to close the gaps where these links have been broken, by tracing additional paths through the topology of potential interactions. Finally, Ibis repeats the process of introducing structure and verifying behavior (steps 3 and 4).

To support this process, Ibis exploits two reasoning components described elsewhere: the symbolic algebra system, called *Minima*, for the hybrid qualitative quantitative algebra Q1 [Williams 1988], and the hybrid terminological reasoning and congruence closure system called

*Iota* [Williams 1989]. The remaining sections describe Ibis' inputs and demonstrate the first four steps of the building process on our example. Refinement is demonstrated in [Williams 1989].

## 4 Ibis' Inputs and Outputs

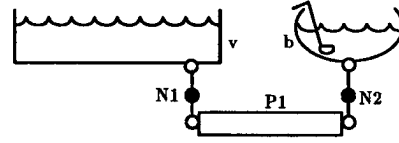
Ibis takes as input the desired interaction, initial constraints on the physical structure and interactions, and terminological definitions and physical principles characterizing the domain and technology. It produces from these a consistent physical structure whose interaction topology produces the desired interaction. First consider inputs involving structure. The terminological definitions describe the classes of valid physical structures (e.g., pipes, containers), quantities (e.g., H, P) and their interrelationships for a given domain and technology. The initial and final structures describe particular instances of these classes (called individuals) and their interrelationship. Each is described in a terminological language, called *Iota*, roughly similar in style to languages like Klone [Brachman & Schmolze 1985]. *Iota*'s syntax and semantics is presented in [Williams 1989]. Our example uses a device-centered model. That is, each component communicates externally through a set of *terminals*, and a physical structure is a network of components whose terminals are connected to common points called *nodes*. Two example definitions are shown below, the left is for nodes and the right is for pipes:

node are_unique constituent;	pipe are_unique device;
t1_of(node) are terminal;	t1(pipe) are_unique terminal;
t2_of(node) are terminal;	t2(pipe) are_unique terminal;
P(node) are pressure;	R(pipe) are fluid_resistance;
1-1_function(t1_of);	1-1_function(t1);
1-1_function(t2_of);	1-1_function(t2);
1-1_function(P);	1-1_function(R);
t1_of(node) disjoint t2_of(node);	
forall (n) node(n) implies nt1_of(n) $\equiv$ n;	
forall (n) node(n) implies nt2_of(n) $\equiv$ n;	

The left says roughly that a node is a unique type of physical constituent, and each node has a unique P, t1\_of and t2\_of, where P is a pressure, and t1\_of and t2\_of are distinct terminals. Also, a terminal which is the t1\_of or t2\_of of some node has that node associated with it.<sup>3</sup> The right definition says roughly that a pipe is a unique type of device, and has a unique R, t1 and t2, where R is a fluid resistance, and t1, t2 are distinct terminals. See [Williams 1989] for the complete set of definitions and their semantics.

A structural description specifies the individuals that a device is composed of, their types, and their interrelationship through equivalences ( $\equiv$ ) and inequivalences ( $\neq$ ). For example, the following describes a solution to the punch bowl problem that connects a pipe between the vat and bowl. The corresponding schematic uses open circles to denote terminals, and closed circles to denote nodes:

vat(v);	b(v) $\equiv$ t1_of(N1);
bowl(b);	t2_of(N1) $\equiv$ t1(P1);
pipe(P1);	t2(P1) $\equiv$ t2_of(N2);
node(N1);	t1_of(N2) $\equiv$ b(b);
node(N2);	



The description introduces a distinct vat *v*, bowl *b*, pipe *P1*, and two nodes *N1* and *N2*. A component is connected to a node by sharing a terminal. For example, “*b(v)  $\equiv$  t1\_of(N1)*” says that the terminal at the bottom of *v* is one of *N1*'s terminals. The above description says that the bottom of *v* is connected to the *t1* end of *P1* through node *N1*, and the *t2* end of *P1* is connected to the bottom of *b* through node *N2*. The declarations “*vat(v)*” and “*bowl(b)*” specify the initial structure for our example.

Next consider the inputs that are specified as interactions: the initial and desired interactions, and physical principles. An interaction is a qualitative (or quantitative) relationship between variables. In this paper it is an equation in the Q1 algebra [Williams 1988]. Initial interactions specify interactions enforced by the problem statement. In our example, no fluid can flow into the top of the bowl; that is,  $Q(t(b)) = 0$ . Desired interactions are interactions that the design must satisfy — in our example  $[H(v) - H(b)] = [dH(b)/dt]$ . The physical principles describe the types of interactions (called *potential interactions*) producible by classes of physical constituents. In a device-centered approach these are interactions produced by classes of components (the device models) and connections (the connection laws). A potential interaction is an interaction over classes of variables (called *variable types*). It is expressed as a universally quantified horn clause. The antecedents restrict each quantifier to range over defined classes. The consequent is an interaction (here a Q1 equation) on variables and variable types (terms containing quantifiers). For example, the pipe model consists of three potential interactions:

forall (pi) pipe(pi) implies $Q(t1(pi)) + Q(t2(pi)) = 0$ ;
forall (pi) pipe(pi) implies $Pd(nt1(pi), nt2(pi)) = R(pi) \times Q(t1(pi))$ ;
forall (pi) pipe(pi) implies $R(pi) = [+]$

The first says that what flows into one end of the pipe flows out the other end. The second relates a pipe's pressure difference (*Pd*) to its fluid resistance (*R*) and flow (*Q*). The third says that *R* is always positive.

## 5 Building the Space of Interactions

Recall that the topology of potential interactions represents all producible interactions and all ways they interconnect. The topology of existing interactions represents interactions produced by the current structure and is updated as the structure is modified. To build the first topology, Ibis creates an undirected hyper-edge for each potential interaction that connects the interaction's variables. For example, consider two interactions

<sup>3</sup>nT is an abbreviation for node\_of(T), where T is a terminal. We also abbreviate bottom with *b* and top with *t*.

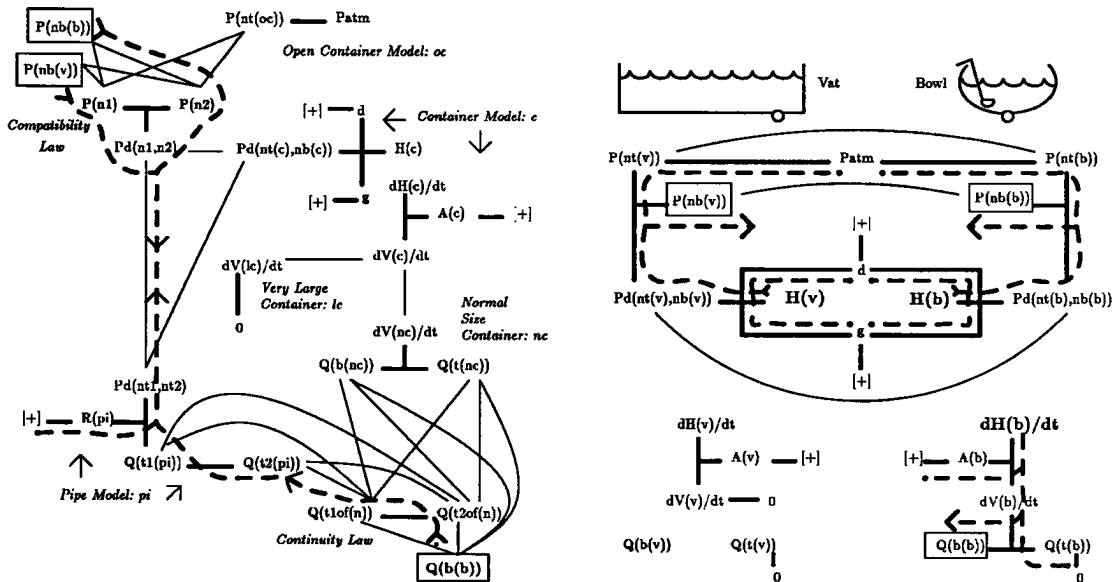


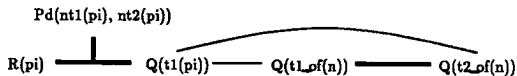
Figure 3: The topology of potential (left) and existing (right) interactions for the punch bowl problem. Thick lines denote interactions and thin lines denote links. Dashed lines show a path through the two topologies between desired variables:  $H(v)$ ,  $H(b)$  and  $dH(b)/dt$ . Boxed variables indicate where branches of the path jump between topologies.

— the first is from the pipe model and the second is the continuity law for nodes ( $Pd$  is pressure difference,  $Q$  flow and  $R$  resistance):

$$\text{forall } (pi) \text{ pipe}(pi) \text{ implies } Pd(nt1(pi),nt2(pi)) = Q(t1(pi)) \times R(pi);$$

$$\text{forall } (n) \text{ node}(n) \text{ implies } Q(t1\_of(n)) = - Q(t2\_of(n))$$

Hyper-edges representing these two interactions are shown below by thick lines to the far left and right:



Each edge tells us which quantities interact directly, while suppressing the algebraic properties of the interaction. The complete set of hyper-edges for the example are shown as thick lines in figure 3, left half.

Next the hyper-edges are combined into a graph. Interactions communicate through shared variables. Possible sharings are represented by thin lines, called *links*, between pairs of unifiable variables (i.e., variable types that aren't necessarily disjoint and thus can share an individual). Unification is semantic rather than syntactic, and is determined by Iota from the terminological definitions. The pipe and continuity interactions shown earlier are connected by two links. For example, variable types  $Q(t1(pi))$  and  $Q(t1\_of(n))$  are linked — by definition  $Q$  is a 1-1 function; thus, for an individual  $Q(i)$  to be an instance of both variable types,  $i$  must be an instance of both  $t1(pi)$  and  $t1\_of(n)$ . This is consistent with the definitions for pipe and node given earlier. In contrast  $Q(t1\_of(n))$  and  $Q(t2\_of(n))$  are not linked, since from the definition of node  $t1\_of(n)$  and  $t2\_of(n)$  are disjoint. The complete set of links are shown in figure 3, left half.<sup>4</sup>

<sup>4</sup>This topology is overly simple for presentation purposes.

Next the topology of existing interactions is constructed, corresponding to the initial structure. This involves instantiating the applicable potential interactions and combining them with the initial interactions. Common vertices denote shared variables, where sharing is determined by Iota through congruence closure. Links are added to this topology between variables that are unifiable (and not already equivalent). The complete topology of existing interactions for the punch bowl problem is shown on the right side of figure 3. The vat's interactions are to the left and the bowl's are to the right.

Once the topology of potential and existing interactions are created, they are interconnected by linking each variable and variable type that are unifiable. Variables of interest that link the two topologies are highlighted in figure 3 by boxes.

## 6 Proposing a Candidate Topology

Next, Ibis uses these topologies to identify a candidate solution — an interaction topology that has a simple mapping to physical structure and which may combine to produce a desired interaction (step two of figure 2). A candidate solution is a minimal set of interactions and links that *relates those and only those variables in the desired interaction* (called *desired variables*). In our example these variables are  $H(v)$ ,  $H(b)$  and  $dH(b)/dt$ . A candidate  $C$  is identified by tracing a (multi) path between the desired variable through both interaction topologies.  $C$  consists of every interaction and link touched by the

A more representative topology, for example, combining hydraulic and mechanical properties might contain several types of connections and a few dozen device types.

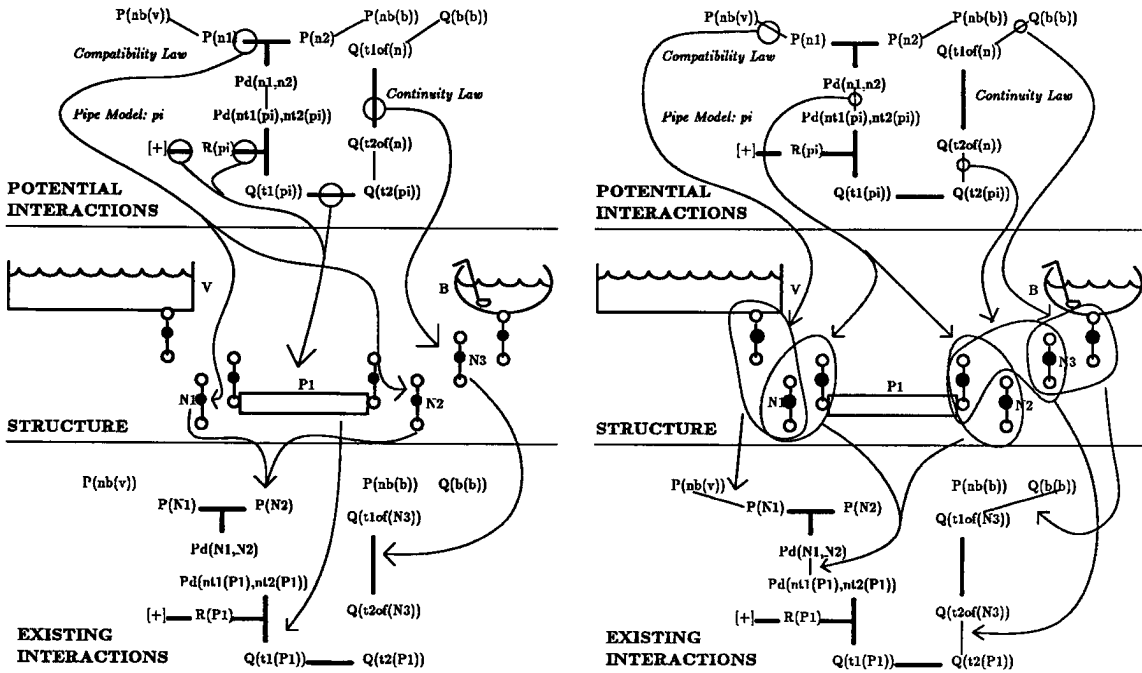


Figure 4: Instantiating the candidate potential interactions (left) and links (right). On the left, a downward arrow points to the structure and existing interaction that result from instantiating a potential interaction. On the right each points to the unifications of structure and variables resulting from instantiating a link.

multi path. To relate the desired variables,  $C$  should contain a path  $P$  going between the variables that has no intervening constants. To relate only the desired variables, every branch off of  $P$  should terminate on a constant, unless it leads to a desired variable. Intuitively, a branch terminating on another variable represents an undesired influence (see [Williams 1989] for details).

A path corresponding to a candidate for the punch bowl problem are shown as dashed lines in figure 3. It begins as three separate paths starting at the desired variables,  $H(v)$ ,  $H(b)$  and  $dH(b)/dt$ , and tracing out through the topology of existing interactions (right half, figure 3). One branch of each path reaches  $P(nb(v))$ ,  $P(nb(b))$  and  $Q(b(b))$ , respectively, which are linked to the potential interaction topology. The other branches terminate on constants (denoted by paths ending with black dots). After crossing links at  $P(nb(v))$ ,  $P(nb(b))$  and  $Q(b(b))$ , the paths trace through the potential interaction topology, where they come together as a single path (left half, figure 3). In so doing the path traverses five links and five potential interactions: the three interactions of the pipe model, and one each for the continuity and compatibility laws (governing the behavior of connections at nodes).<sup>5</sup>

<sup>5</sup>Note that a single path introduces a component of each type at most once. Several instances of the same type are introduced either during the refinement process (figure 2, bottom), or when multiple desired interactions are specified.

## 7 Adding Interactions and Structure

Next Ibis augments the topology of existing interactions with the potential interactions and links in the candidate (step three of figure 2). Potential interactions and links are introduced through analogous operations on physical structure. Interactions are instantiated by introducing physical parts (e.g., pipes, nodes, terminals) — the parts specified in the first principles corresponding to each potential interaction. Links are instantiated by unifying physical parts. This in turn unifies existing variables, thereby connecting the interactions together.

The top left of figure 4 shows the candidate potential interactions and links for our example. Next to each interaction is the name of the corresponding model or law. The vat  $v$  and bowl  $b$  in the middle left of the figure are part of the initial structure.  $P(nb(v))$ ,  $P(nb(b))$  and  $Q(b(b))$  at the bottom left are variables of the existing interactions that the augmentations connect to.

Ibis instantiates five potential interactions: the interaction from the compatibility law, three interactions from the pipe model, and the interaction from the continuity law. First, the compatibility law:

$$\text{forall } (n1,n2) \text{ node}(n1) \text{ and node}(n2) \text{ implies} \\ Pd(n1,n2) = P(n1) - P(n2)$$

applies to any pair of nodes; thus, Ibis instantiates the law by introducing two nodes with unique names — call them  $N1$  and  $N2$ . Similarly, introducing  $N1$  and  $N2$  results in a single interaction being added to the topology of existing interactions, as is shown by the downward arrow at the far left of figure 4. The remaining four

interactions are introduced in a similar manner, as depicted in the figure: a pipe  $P1$  for the three interactions of the pipe model, and a node  $N3$  for the continuity law.

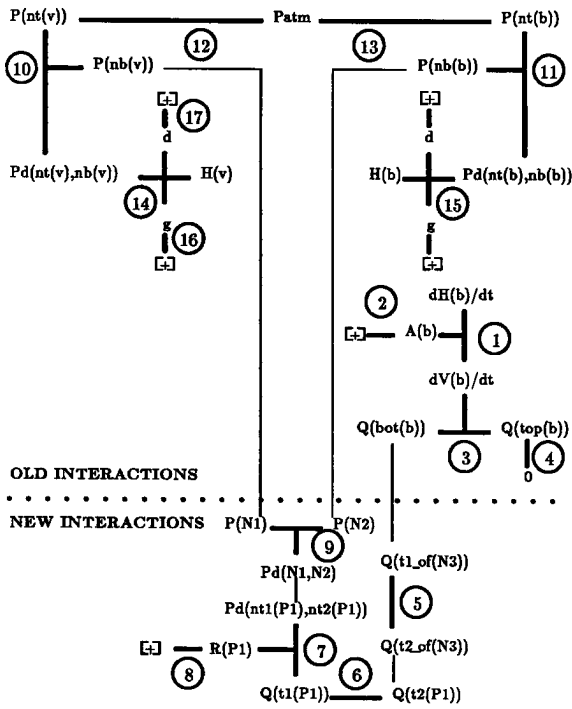


Figure 5: The augmented topology of interactions. Numbers indicate the sequence in which interactions are combined during verification.

Next, to complete the interaction topology Ibis “glues” the interactions together by instantiating the candidate links. This involves unifying the variables of interactions and is accomplished by unifying pieces of device structure. For example, consider the link between  $Q(t1\_of(n))$  and  $Q(b(b))$ , shown in the upper right corner of figure 4. To instantiate this link we want to equate  $Q(t1\_of(N3))$  and  $Q(b(b))$ . To enforce this equivalence the bottom of bowl  $b$  must be connected to  $N3$ . That is,  $t1\_of(N3)$  and  $b(b)$  must refer to the same terminal, and  $N3$  and  $nb(b)$  must refer to the same node. This is inferred by Iota through congruence closure from the definitions and structural description. The remaining four links are instantiated in a similar manner. The resulting unifications of structure and variables are depicted by downward arrows in the right half of figure 4. The net effect of the instantiations is to connect the pipe between the vat and bowl. The augmented interaction topology is shown in figure 5.

Although the above structure is consistent with the definitions, this is not always the case. The reason is that the topology of potential interactions ensures only that the links are pairwise consistent — the instances of several links may be globally inconsistent. When this happens the inconsistent links are broken, and the solution is refined as sketched earlier ([Williams 1989] provides

detailed examples). Several refinements are normally required for complex structures, like Heron’s regulator and the fluid regulators at the end of this paper.

## 8 Verifying the Desired Interaction

The remaining step is to determine whether or not the combined behaviors of the interactions in the candidate produce the desired interaction  $[H(v) - H(b)] = [dH(b)/dt]$ . The composition process involves qualitative symbolic algebra on Q1 equations, and is performed by Minima [Williams 1988]. To compose interactions, Ibis starts with the expression involving the variable being controlled, in our example  $[dH(b)/dt]$ . It walks back along the path traced when constructing a candidate, accumulating a symbolic expression. Ibis then tests whether the accumulated expression matches the other expression in the desired behavior,  $[H(v) - H(b)]$ . The sequence of interactions walked through during the accumulation are numbered in figure 5, with the corresponding expressions in each step shown below. The initial and final expressions (lines 0, 17) match the desired interaction; thus, connecting the pipe solves the punch bowl problem.

- 0)  $[dH(b)/dt]$
- 1)  $[dV(b)/dt] \otimes [A(b)]$
- 2)  $[dV(b)/dt]$
- 3)  $[Q(b(b)) + Q(top(b))]$
- 4)  $[Q(b(b))]$
- 5)  $\ominus [Q(t2\_of(N3))]$
- 6)  $[Q(t1(P1))]$
- 7)  $[Pd(nt1(P1), nt2(P1))] \otimes [R(P1)]$
- 8)  $[Pd(nt1(P1), nt2(P1))]$
- 9)  $[P(N1) - P(N2)]$
- 10)  $[(Pd(nt(v), nb(v)) - P(nt(v))) - P(N2)]$
- 11)  $[Pd(nt(v), nb(v)) + P(nt(b)) - P(nt(v)) - Pd(nt(b), nb(b))]$
- 12)  $[Pd(nt(v), nb(v)) + P(nt(b)) - P_{atm} - Pd(nt(b), nb(b))]$
- 13)  $[Pd(nt(v), nb(v)) - Pd(nt(b), nb(b))]$
- 14)  $[H(v)/(d \times g) - Pd(nt(b), nb(b))]$
- 15)  $[H(v) - H(b)] \otimes [d] \otimes [g]$
- 16)  $[H(v) - H(b)] \otimes [d]$
- 17)  $[H(v) - H(b)]$

Note that the resulting design is quite compact in part because the device exploits a substantial set of interactions produced by the initial structure. The complete set of interactions directly contributing to the desired behavior is extensive — all those shown in figure 5. Ibis’ use of the topology of existing interactions when proposing candidates is central to how it achieves this type of function sharing.<sup>6</sup>

## 9 Discussion

Consider briefly the complexity and completeness of our approach. A simple mapping exists between propositional formulas and Q1 equations; thus, verifying an interaction topology is at least as difficult as 3-Sat, and is in fact NP-hard. Design introduces bounded quantification into the equations (the potential interactions), raising the problem to first order satisfiability. It is at

<sup>6</sup>In [Ulrich 1988] a device is initially designed without function sharing, and then functions are later collapsed. In contrast, for problems like our example, some function sharing must be considered immediately, since a solution can only control the desired variables through existing interactions (e.g.,  $H$  through  $P$ ).

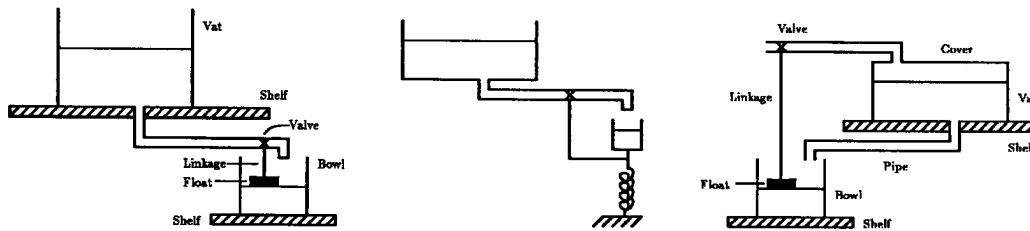


Figure 6: Analogues to early feedback devices, constructed by Ibis.

best semi-decidable. Our aspiration then has been to make the individual steps of interaction-based invention efficient and to develop a more sophisticated coordination of these steps through future research. Building the space of interactions, identifying a candidate path, elaborating structure, and testing consistency are at worst quadratic in the number of individuals and classes introduced. We are working on proving whether Ibis generates all candidates; the other steps are complete. As discussed above, the verification step is NP-hard. The set of compositions is linear in the number of interactions, but the cost is in canonicalization and factoring. As argued in [Williams 1988] Q1 has a number of unique properties that tend to make these operations efficient in practice. Verification is sound but incomplete. Ibis has been demonstrated on several simple devices. Also, it has been walked through the design and verification of the devices in figure 6, which are analogous to regulators that were fundamental to the development of feedback control theory [Mayr 1970]. Although we haven't experimented with this, Ibis should also work with analog designs, since quantitative equations are a subset of Q1.

Ibis' initial focus on interaction connectivity bears a loose similarity to Ulrich's [1988] use of bond graphs (i.e., graphic depictions of  $n$  ports). Ulrich's approach however is quite different. For example, bond graphs are initially proposed by composing bonds arbitrarily, and device behavior, beyond connectivity, is not considered. In addition, there are no analogues to Ibis' existing and potential interaction topologies, Q1, Iota or Minima.

The approach of imagining potential interactions is one piece of a larger project on interaction-based design (see [Williams 1990]). We are currently exploring a more robust causal-temporal representation of interactions and are embedding our approach within evolutionary and library-based design. In addition [Joskowicz & Addanki 1989] is suggestive of a promising avenue for combining interaction-based and geometric design.

This work is best summarized by the initial intuition and series of questions raised in the introduction — *innovative devices can be constructed by focussing on qualitative differences between how alternative devices work:*

**How do devices work?** By constructing an interaction topology and orchestrating it over time.

**How does this impact invention?** Invention involves constructing a topology of interactions that both produces the desired behavior and makes evident a physical structure that implements those interactions.

**What qualitative features are most important?**

The connectivity of interactions and their variable types.

**How are simple devices composed out of first principles?** By tracing paths through a topology of potential interactions.

## 10 References

- Bobrow, D. G. (Ed.) [1984], "Special Issue on Qualitative Reasoning," *Artificial Intelligence*, 24.
- Bose, A. G., and K. N. Stevens [1965], *Introductory Network Theory*, Harper and Row, New York.
- Brachman, R. J., and J. G. Schmolze [1985], "An Overview of the KL-ONE Knowledge Representation System," *Cognitive Science*, volume 9, pages 171-216.
- Hill, F. J., and G. R. Peterson [1974], *Introduction to Switching Theory and Logical Design*, Wiley, New York.
- Joskowicz, L., and S. Addanki [1989], "Innovative Design of Kinematic Pairs," Report RC14507, IBM T.J. Watson Research Center, Yorktown Heights, N.Y.
- Mayr, O. [1970], *The Origins of Feedback Control*, MIT Press, Cambridge, MA.
- McDermott, D. [1977], "Flexibility and Efficiency in a Computer Program for Designing Circuits," MIT AITR-402.
- McDermott, J. [1982], "R1: A Rule-based Configurer of Computer Systems," *Artificial Intelligence*, volume 19, number 1, pages 39-88.
- Mitchell, T. M., et al. [1983], "An Intelligent Aid for Circuit Redesign," AAAI.
- Mitchell, T. M., S. Mahadevan, and L. I. Steinberg [1985], "LEAP: A Learning Apprentice for VLSI Design," *IJCAI*, pages 573-80.
- Mittal, S., C. M. Dym, and M. Morjaria [1986], "PRIDE: An Expert System for the Design of Paper Handling Systems," *Computer*.
- Murthy, S. S., and S. Addanki [1987], "PROMPT: An Innovative Design Tool," AAAI, pages 637-42.
- Ressler, A. [1984], "A Circuit Grammar for Operational Amplifier Design," MIT AI Lab TR-807.
- Roylance, G. [1980], "A Simple Model of Circuit Design," MIT AI Lab TR-703.
- Shearer et al. [1971], *Introduction to System Dynamics*, Addison-Wesley, Reading, Mass.
- Ulrich, K. [1988], "Computation and Pre-Parametric Design," MIT AI Lab TR-1043.
- Williams, B. C. [1984], "Qualitative Analysis of MOS Circuits," *Artificial Intelligence*, 24, pages 281-346.
- Williams, B. C. [1986], "Doing Time: Putting Qualitative Reasoning on Firmer Ground," AAAI, pages 105-112.
- Williams, B. C. [1988], "MINIMA: A Symbolic Approach to Qualitative Reasoning," AAAI, pages 264-269.
- Williams, B. C. [1989], "Invention from First Principles via Topologies of Interaction," PhD Thesis, MIT.
- Williams, B. C. [1990], "Invention from First Principles: An Overview," P. Winston and S. Shellard (Eds.), *Artificial Intelligence at MIT: Expanding Frontiers*, MIT Press.